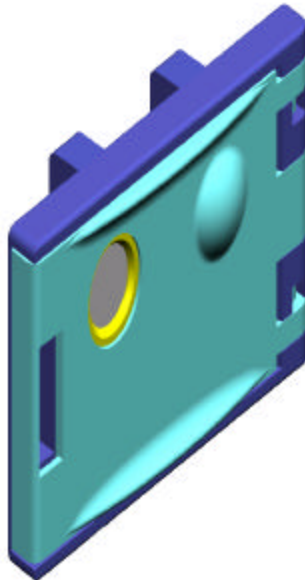


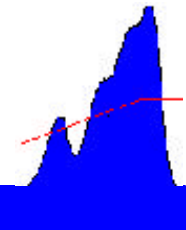
8840 & 8841 Ordering Information



| <u>Ordering Information</u> | |
|--------------------------------------|------------------------------------|
| 8840 Dosimeter Holder | 0870600 0151 (PL-26927) |
| 8841 Dosimeter Card | 0870880 0253 (PL-27544) |



8840 Technical Description

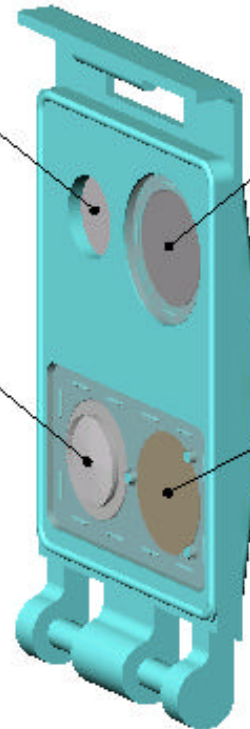


ADHESIVE .00127 1.3mg/cm²
 AlMYLAR .0015 5.5mg/cm²

TLD-700H 3.6mm x 0.25mm

PTFE .167 882mg/cm²
 ABS .047 124mg/cm²

TLD-700H 3.6mm x 0.38mm



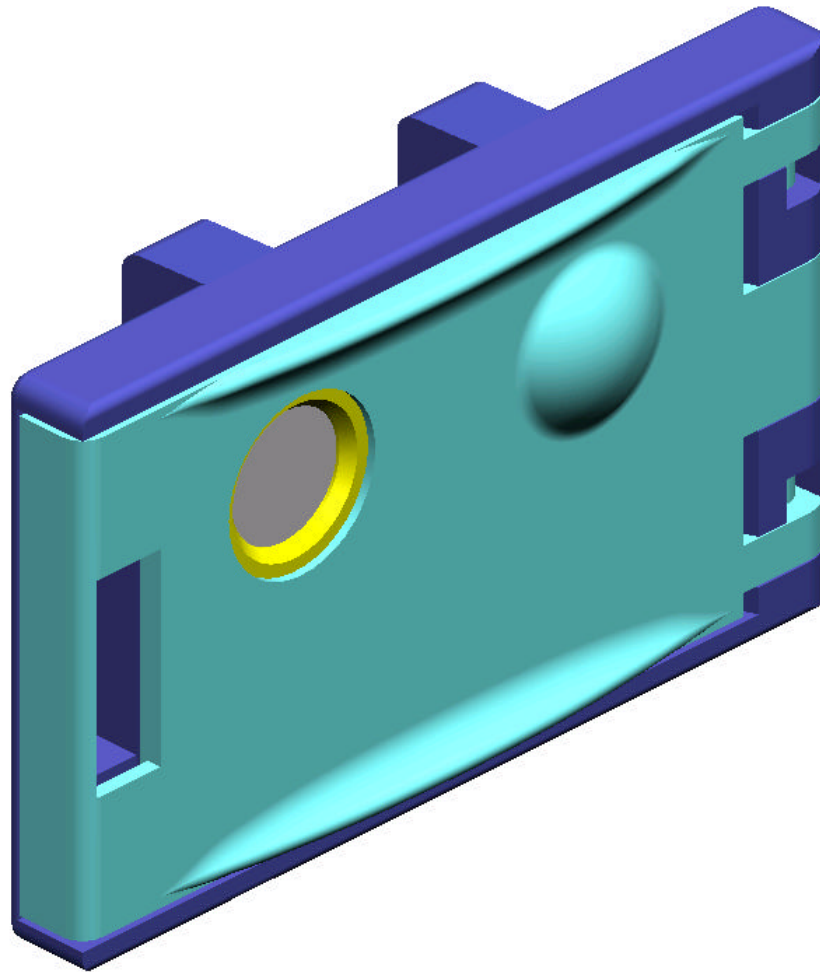
ACRYLIC, CLEAR .035 106mg/cm²
 Sn .060 1113mg/cm²
 ABS .030 79mg/cm²

TLD-600H 3.6mm x 0.38mm

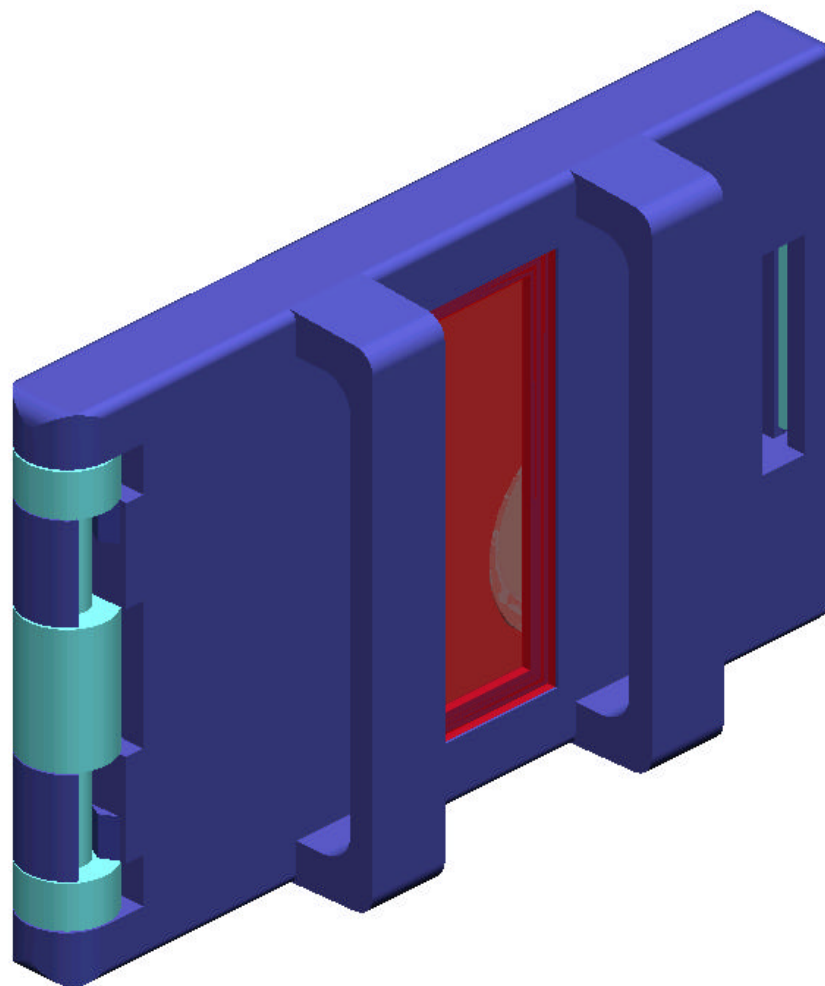
ACRYLIC, CLEAR .026 79mg/cm²
 Cu .004 91mg/cm²
 ABS .096 255mg/cm²

TLD-700H 3.6mm x 0.38mm

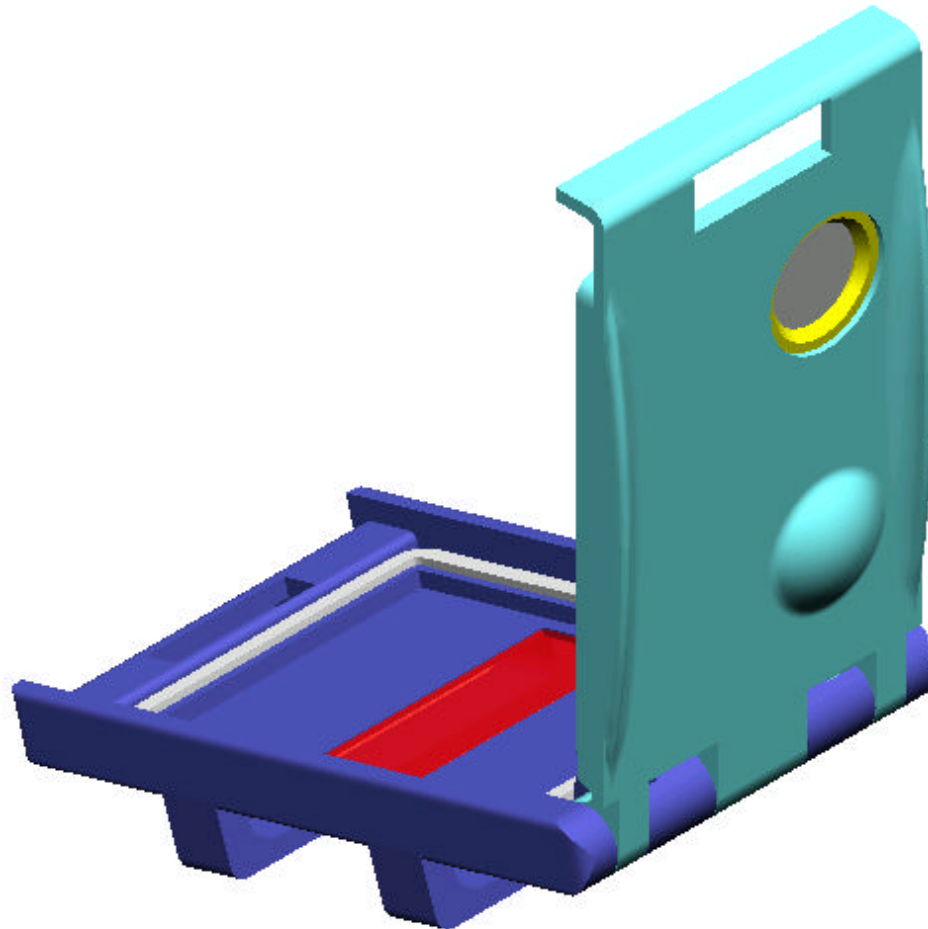
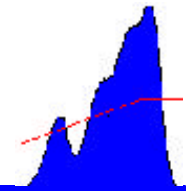
8840 Dosimeter Front View



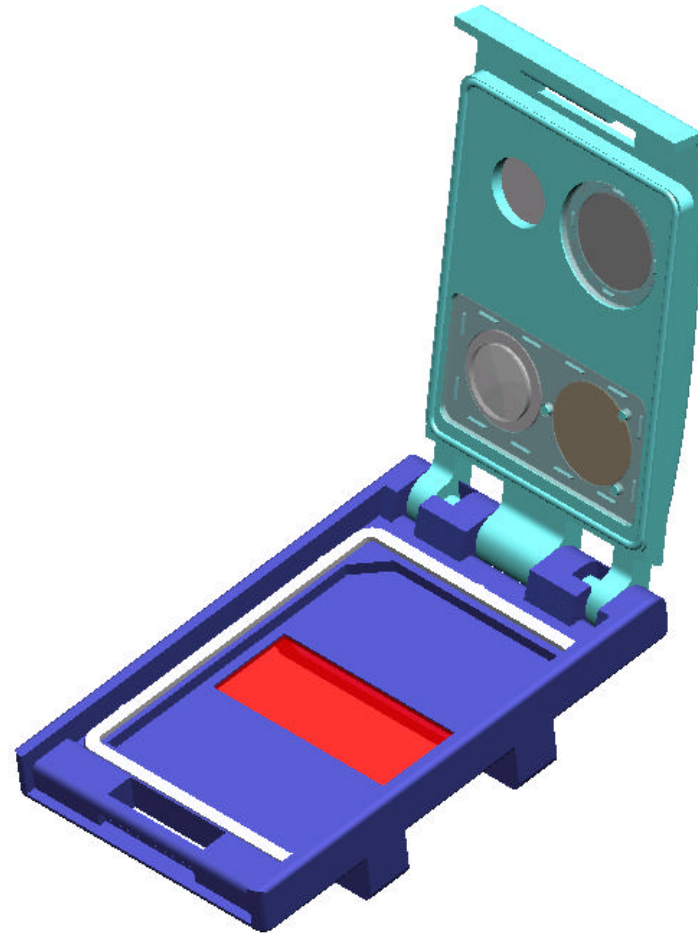
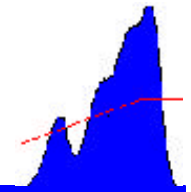
8840 Dosimeter Rear View



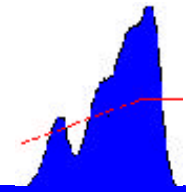
8840 Dosimeter Open View



8840 Dosimeter Open from Front



8841 Dosimeter Card



8840 Dosimeter Internal Barcode



8840 Dosimeter Front View



8840 Dosimeter Internal View



8840 Dosimeter Open Top View

